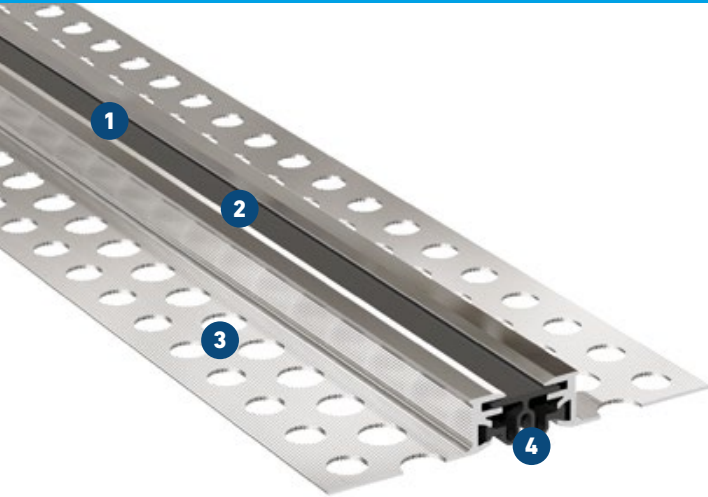


D 15 / DE 15

FOR WALLS AND CEILINGS WITH PLASTER AND TILES

MIGUTEC

JOINT COVERS FOR EXPANSION JOINTS



- 1 High quality elastomeric insert for in- and outdoors**
Hard wearing, temperature resistant (-30°C to +120°C), replaceable
- 2 Large movement capacity**
Special flexible folded insert (up to 50 m length)
- 3 MultiHole mounting bracket**
for secure fixing
- 4 Double protection against water**
Due to double sliding of the sealing insert within metal joint covers

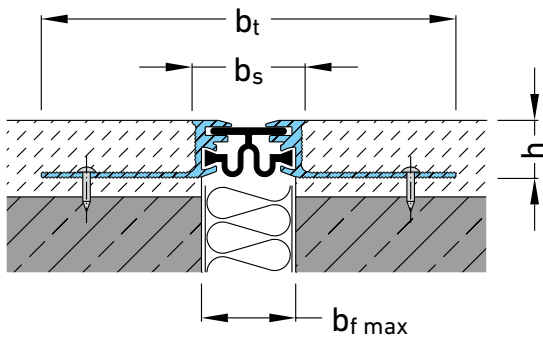
| Standard version | Joint width b_f max [mm] | Total movement Δb_f [mm] | Visible width b_s [mm] | Total width b_t [mm] | Joint height h [mm] |
|------------------|----------------------------------|--|--------------------------------|------------------------------|-----------------------------|
| D 15/3 | 30 | 10 (± 5) | 32 | 110 | 15 |
| D 15/5 | 75 | 40 (± 20) | 75 | 155 | 15 |
| D 15/7 | 100 | 50 (± 25) | 100 | 180 | 15 |
| D 15/9 | 150 | 100 (± 50) | 150 | 230 | 15 |
| D 15/13 | 200 | 100 (± 50) | 200 | 280 | 15 |
| D 15/14 | 250 | 180 (± 90) | 250 | 330 | 15 |
| D 15/18 | 350 | 200 (± 100) | 350 | 430 | 15 |

| Corner version | Joint width b_f max [mm] | Total movement Δb_f [mm] | Visible width b_s [mm] | Total width b_t [mm] | Joint height h [mm] |
|----------------|----------------------------------|--|--------------------------------|------------------------------|-----------------------------|
| DE 15/4 | 30 | 10 (± 5) | 22 | 76 | 15 |
| DE 15/6 | 75 | 40 (± 20) | 55 | 114 | 15 |
| DE 15/8 | 100 | 50 (± 25) | 80 | 139 | 15 |
| DE 15/11 | 150 | 100 (± 50) | 125 | 189 | 15 |
| DE 15/15 | 200 | 120 (± 60) | 190 | 239 | 15 |
| DE 15/16 | 250 | 180 (± 90) | 220 | 289 | 15 |
| DE 15/22 | 350 | 200 (± 100) | 390 | 389 | 15 |

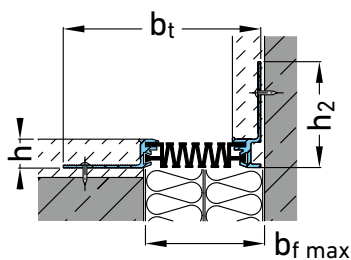
Production length: 4 m

Max. delivery length of the inlay: 50 m

Standard colours: grey. D 15/3 and DE 15/4 also available in beige.



Corner version:



Insert for joint D 15/3 and DE 15/4



Insert for joint D 15/5 and DE 15/6



Insert for joints D 15/7 and DE 15/8



Insert for joint D 15/9 and DE 15/11



Insert for joints D 15/13 and DE 15/15